
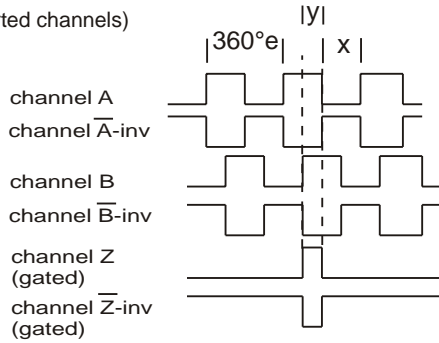




## OUTPUT WAVEFORM

 Rotation: Clockwise (cw) from shaftside

(inv = inverted channels)



$X = 180^\circ \pm 36^\circ$  and  $Y = 90^\circ \pm 18^\circ$   
Z puls: Gated with A and B (standard)

Options: TTL or HTL compatible. Open Collector NPN or PNP  
Gated Z-puls or none-gated Z-puls.  
View more Output options in section 16 - page 1 to 2

## CONNECTIONS

Color code	Standard	Color code	Differential
Green	Ch A	Pink	Ch A
White	Ch B	Grey	Ch A inv
Red	Vcc	Green	Ch B
Black	0-Volt	Yellow	Ch B inv
		White	Ch Z
		Brown	Ch Z inv
		Red	Vcc
		Blue	0-Volt

On request with:  
Standard with Z channel

## PULSES/REV.

4	30	100	250	600	2048
10	36	125	256	1000	2500
11	50	128	300	1024	3000
12	60	150	360	1250	3600
15	75	180	400	2000	5000
25	90	200	500	2500	7500

## ORDERING CODES

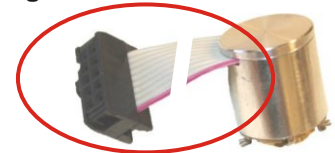
	Options	Ordering codes
Pulses pr.rev.:	No. of pulses	XXXX
Output signal:	Normal (TP-Standard) 3 channel = A, B, Z	N
	TP-Differential, 6 channel A, B, Z and A-inv, B-inv, Z-inv D	
Shaft dimensions:	$\varnothing 4 \times 10$ mm	4x10
	$\varnothing 5 \times 10$ mm	5x10
	$\varnothing 6 \times 10$ mm	6x10
	1/4" ( $\varnothing 6,35$ ) x 10 mm	6,35x10
IP-rating:	IP 50 Standard	50
	IP 65 (Option)	65
Round Cable	Standard 1 meter	01
Length of cable:	No. of meters	XX
Round Cable	Side	S
Cable take out:	Back	B
Cable and connector options:	View section 15 page 10 to 14	
Anti rotation spring coupling or Flange / Plate:	View Section 6 page 1 to 5	

## Flat Ribbon Cable and/or Connector

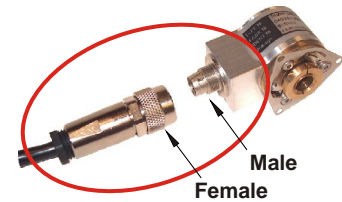
View Section 15 page 10 to 14

### Options

Flat Cable (only IP 50)  
Ribbon + IDC or AMP



Connector on Encoder:  
(only IP64)



## Advanced Output Options:

Options	Ordering codes
Normal Open Collector NPN	NON
Differential Open Collector NPN	DON
Normal Open Collector PNP	NOP
Differential Open collector PNP	DOP

To order replace  with   
Output signal                      Output signal

**2RE**

Pulses

Output signal

X    
Shaft                      Shaft length

IP-rating

Length of round cable

Cable take out

Anti Rotation Spring Coupling  
Or Flange / Plate Order Number