



SCH32B

CE

Introduction

Mini hollow through shaft encoder
 Std. IP 65
 Thermal shutdown at 155°C
 Strong compact electronics
 Based on 2 precision ball bearings, for industrial environments

MECHANICAL SPECIFICATIONS

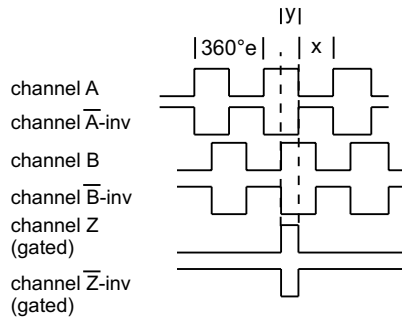
Weight	About 50g (+cable = 0,040 Kg/meter)
Material	Housing - Aluminum Shaft - Brass Bearings - Lifetime lubricated ball bearings Fix. clamp - Brass
H.-Shaft Loads	axial maximum = 20 N radial maximum = 20 N
Max. rev.	6,000 rev./min.
IP-rating	IP 65
Start Torque	< 0,005 Nm at 25° C
Mass Moment of Inertia	3 gcm ²
Shock	maximum 100G / 11 ms
Bump	10G - 16 ms (1000 X 3 axis)
Vibration	(10-2000Hz)/ 10G

ELECTRICAL SPECIFICATIONS

Output Waveform	Incremental (A, B)
Output Signals	Standard, Inverted, Differential (RS-422A compatible)
Current No Load	35 mA
Max. load pr. output	20 mA(Short circuit protected)*
Supply-Voltage(Vin)	Min 4,5V to Max. 30V* , Reverse polarity protection
V _{out} low	maximum 500 mV @ I = 10 mA
V _{out} high	minimum (Vin -0.6) @ I = -10 mA minimum (Vin -1.3) @ I = -25 mA
Operating Temp.	- 40°C to +85°C
Storage Temp.	- 40°C to +85°C

OUTPUT WAVEFORM

Rotation: Clockwise (cw) from shaftside



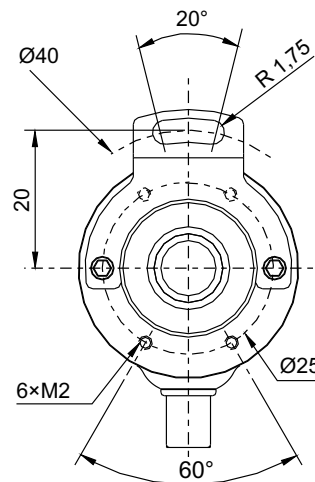
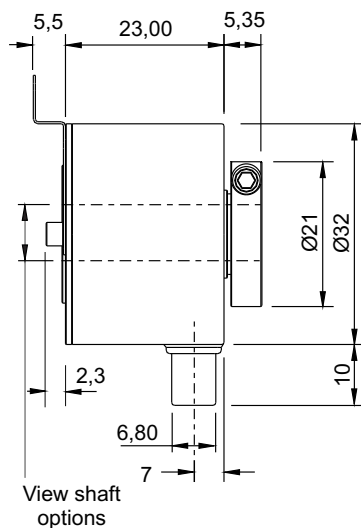
$X = 180^\circ e \pm 36^\circ e$ and $Y = 90^\circ e \pm 18^\circ e$
 Z puls: Gated with A and B (standard)

Options: TTL or HTL compatible. Open Collector NPN or PNP
 Gated Z-puls or none-gated Z-puls.
 View more Output options in section 15 - page 1 to 2

CONNECTIONS

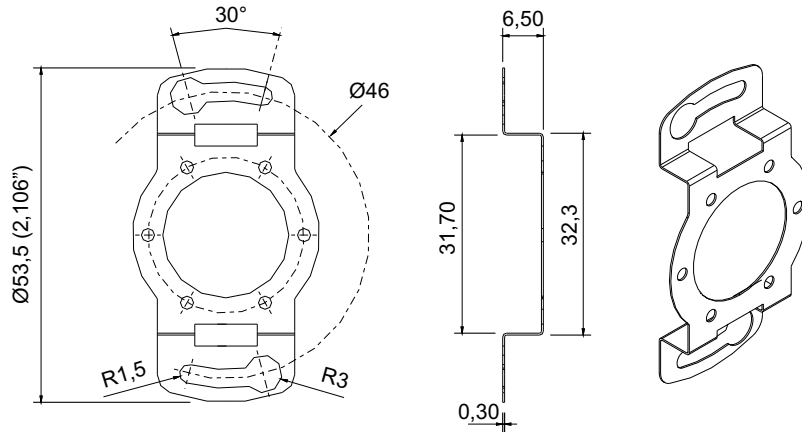
Color code	Standard	Color code	Differential
Green	Ch A	Pink	Ch A
Yellow	Ch B	Grey	Ch A inv
Grey	Ch Z	Green	Ch B
Brown	Vcc	Yellow	Ch B inv
White	0-Volt	White	Ch Z
		Brown	Ch Z inv
		Red	Vcc
		Blue	0-Volt

MECHANICAL DIMENSIONS



SPRING COUPLING FOR TYPE SCH32 B or F

Part no: 80140189



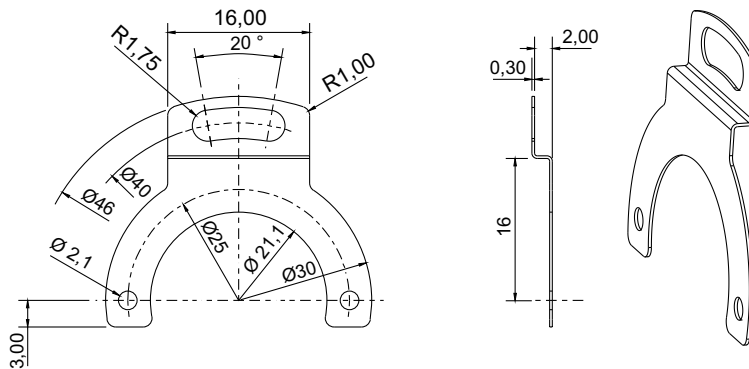
Spring for motor:

**Fits with encoder
SCH32 F or B**

With clamp bushing

(Screws for mounting included)

Part no: 00140078



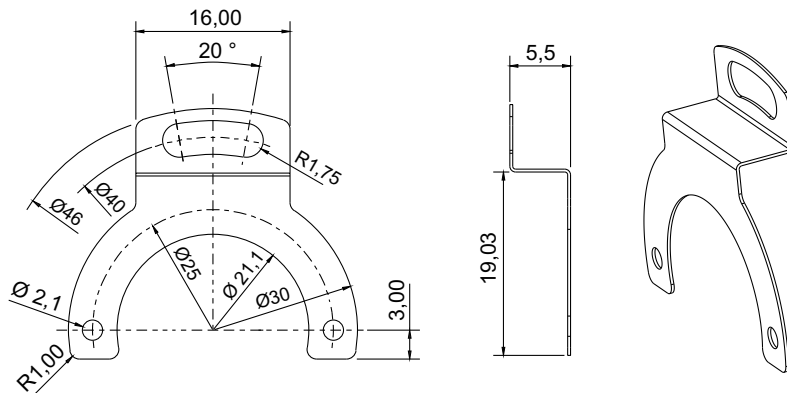
Spring for motor:

**Fits with encoder
SCH32 F or B**

With clamp bushing

(Screws for mounting included)

Part no: 00140089



Spring for motor:

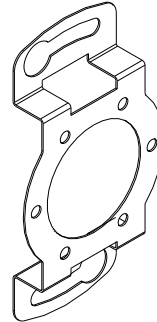
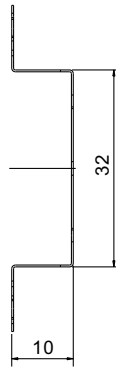
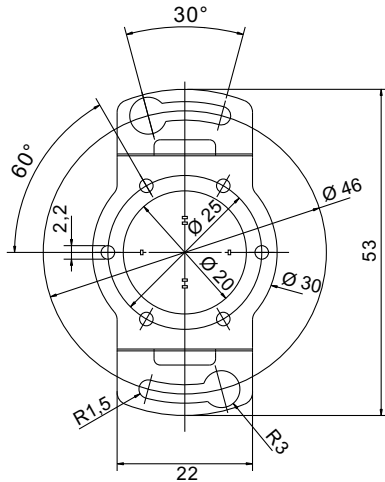
**Fits with encoder
SCH32 F or B**

With clamp bushing

(Screws for mounting included)

SPRING COUPLING FOR TYPE SCH32 B or F

Part no: 00131303



Spring for motor:

**Fits with encoder
SCH32 F or B**

With clamp bushing

(Screws for mounting included)

WARRANTY

Scancon A/S warrants against manufacturing defects for a period of 12 months from the date of manufacture. Product dimensions, weights and all product illustrations are approximate and may be modified without prior notice.

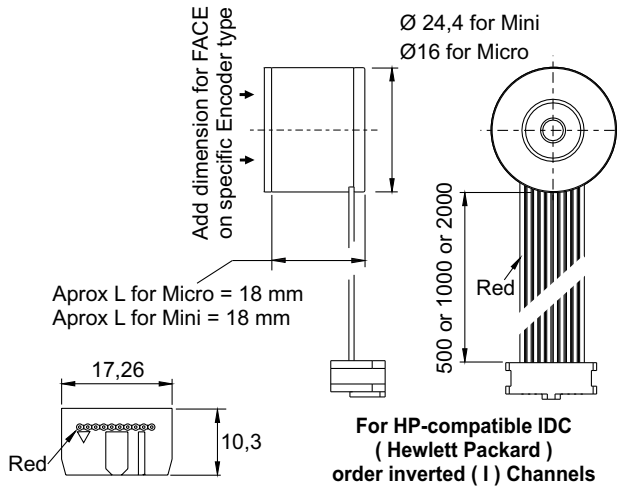
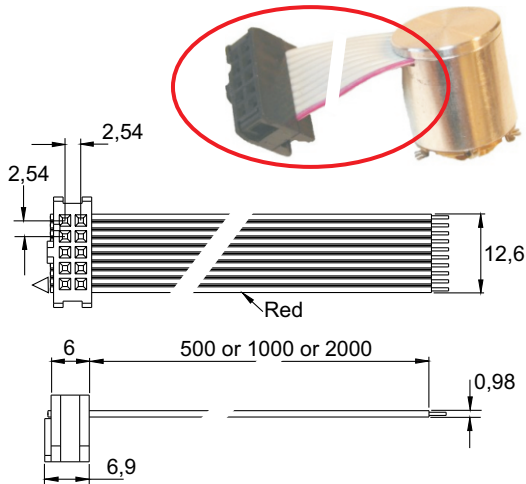
This warranty does not cover problems or consequences due to common usage (wear and tear) for which the product was designed. Nor does it cover product failures caused by improper installation or use, overloading, incorrect maintenance, or operation outside the product's specifications.

Detailed warranty information can be found in Scancon's Terms & Conditions

FLAT RIBBON CABLE WITH IDC CONNECTORS — MECHANICAL DIMENSIONS

Options

Flat Cable (only IP 50)
Ribbon + IDC or AMP
Only Differential

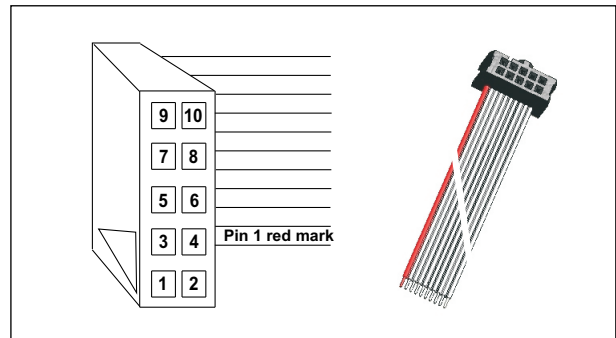


CONNECTIONS

IDC PIN NO.	Differential Output; D	Inverted Output; I (HP-compatible)
1	NC	A inv
2	Vcc	NC
3	0 volt (GND)	NC
4	NC	NC
5	A inV	NC
6	A	0-Volt
7	B inv	NC
8	B	B inv
9	Z inv	VCC
10	Z	Z

NOTE: Inverted also called HP-Standard (Hewlett Packard)

CABLE AND PIN OUT



CHARACTERISTICS

- IP-rating: IP-50
- CE-marking not available ~~CE~~
- Cable take out only side wise
- Only available with 0,5 meter, 1 meter and 2 meter
- Output signal Differential D or Inverted I only

ORDERING CODES

Ordering Codes System Incremental Hollow Through Shaft Encoder — SCH32B

Ordering Codes: SCH32B XXXX — X — XX — XX — XX — X

Pulses pr. rev:	No. of pulses	XXXX					
	96 250 1024 2500						
	100 500 1500 3600						
	200 1000 2000 4096						
	Other pulses are under construction						
Output signal:	Normal (TP-Standard) 3 channel = A, B, Z		N				
	TP-Differential, 6 channel A, B, Z and A-inv, B-inv, Z-inv		D				
	Line driver OL 7272 for extra long cable, up to 100 meters (Differential)		M				
	Line driver chip 26C31 (V out low < 0,4 V) (RS-422A compatible @ 5V) Only 5 Volt (Differential)		L				
Hollow Shaft Dimensions: (Tolerance G7)	Ø 6 mm			06			
	Ø 1/4" (Ø 6,35mm)			1/4			
	Ø 8 mm			08			
	3/8" (Ø 9,525mm)			3/8			
IP-rating:	IP 65				65		
Cable Length:	Standard 1 meter					01	
	No. of meters					XX	
Cable take out:	Side						S
Cable and connector options:	View Section 14 page 7 to 11						
Anti rotation spring coupling or Flange / Plate:	View Section 8 page 15 to 16						